

101

C O P E N H A G E N



Trumpet Table, Tall - Silver Travertine

Designed by

Kristian Sofus Hansen &
Tommy Hyldahl

Trumpet Table, Tall - Silver Travertine

Product Description

The Trumpet Table, born from the bold spirit of the 1970s, is a celebration of sculptural form and refined simplicity. It recalls an era when design embraced freedom, fluid lines, and fearless geometry. With its graceful curves and trumpet shaped silhouette, the design resonates like a note held in suspension, a gesture of music translated into form. It channels the rhythm of jazz, the energy of modernist interiors, and the optimism of a time unafraid of statement and style.

Meticulously crafted through traditional techniques, the Trumpet table is grounded, tactile, and architectural, with a sculptural base in hand painted fibre concrete crowned by disc of natural Silver Travertine layered in soft greys and earthy taupes. Together, these interpretations embody the essence of the Trumpet Collection: modern yet timeless, bold yet refined and simple yet expressive.

Ideal as a side table, accent piece, or sculptural object—a small but striking presence in any interior. Pair with the Low Trumpet Table to create a layered, harmonious display that amplifies the sculptural impact.

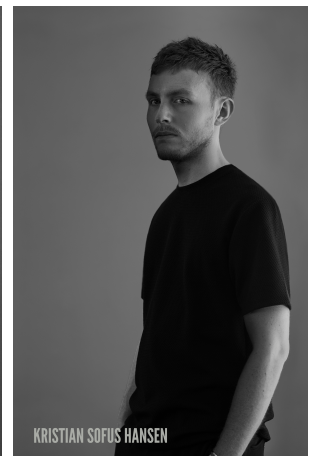
Designer Description

Tommy Hyldahl and Kristian Sofus Hansen intertwine their distinct sensibilities to create designs where storytelling, materiality, and timeless form meet in quiet harmony.

With a background in fashion, Tommy brings an intuitive eye for trends, colors, and textures. His process is one of layering histories, blending details and references from past design periods and reimagining them into something fresh and contemporary. Each collection unfolds as a narrative, evolving from concept to creation, with every element contributing to a greater story.

Kristian, who has lived and studied in Japan, seeks to unite Japanese aesthetics with Danish design, creating a characteristic twist on simplicity itself. His work is defined by the search for subtle, original details that elevate each piece with a unique signature. Drawing inspiration from art and sculpture, his creative process unfolds in new and exciting ways, always striving to craft designs that are both functional and timeless.

Together, they craft design that transcends time, poetic yet practical, expressive yet enduring.



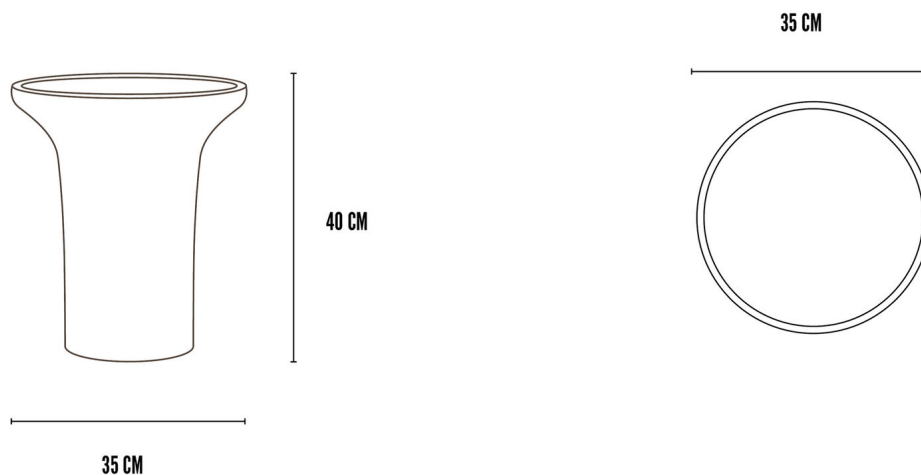
Trumpet Table, Tall - Silver Travertine

Main

SKU	263011	Product Family	Trumpet
Product name	Trumpet Table, Tall - Silver Travertine	Color	Silver Travertine
Product Type	Coffee Table	Size	Tall
		Unit	Piece

Logistics

EAN number	4251501415367	Package - CBM	0.099
Package height in cm	51.00	Package - Weight KG	11.000
Package width in cm	44.00	Tariff Code No	9401790000
Package length in cm	44.00	Country of origin	China
Suitable for Courier	Yes	Quantity of Inner Boxes	1



Trumpet Table, Tall - Silver Travertine

Product

Materials	Silver Travertine & Fiber concrete	Net weight in kg	9
Item Height in cm	40.00	Space Suitability	Indoor
Item width in cm	35.00	Strength Test	N/A
Item length in cm	35.00	FSC Wood	N/A

Upholstery

Fabric		Cigarette Test - CAL-117
Martindale	N/A	Cigarette Test - EN 1021-1
Colour Fastness to Light	N/A	Cigarette Test - BS5852 Part 1
Pilling	N/A	Match Flame Test - EN 1021-2
Oeko Tex	N/A	Ignition Source 5 (Crib 5) - BS 5852 Part 2
Fire Test Foam	N/A	NF P92-507 - Class M1

Trumpet Table, Tall - Silver Travertine

Family Description Text

The Trumpet Collection, born from the bold spirit of the 1970s, is a celebration of sculptural form and refined simplicity. It recalls an era when design embraced freedom, fluid lines, and fearless geometry. With its graceful curves and trumpet shaped silhouette, the collection resonates like a note held in suspension, a gesture of music translated into form. It channels the rhythm of jazz, the energy of modernist interiors, and the optimism of a time unafraid of statement and style.

Meticulously crafted through traditional techniques, the Trumpet Collection reveals itself in two expressions, each with its own soul. One is formed entirely from glass, a luminous sculpture that captures light as though it were sound, refracting it into warmth and depth, while the other is grounded, tactile, and architectural, with a sculptural base in hand painted fibre concrete crowned by a disc of natural stones. Together, these interpretations embody the essence of the Trumpet Collection: modern yet timeless, bold yet refined, simple yet expressive, a presence that draws the eye and shifts the energy of a room.

Color Description

Silver Travertine is a natural colour defined by layered tones of silver-grey, taupe, and soft earthy undertones. The interplay of these shades creates depth, warmth, and a sense of quiet strength. Timeless and versatile, this colour bridges ancient character with contemporary elegance, offering a grounded yet refined presence in any setting.

Trumpet Table, Tall - Silver Travertine

Maintenance Guide Description

This piece combines the natural elegance of Silver Travertine with the sculptural strength of hand-painted fiber concrete. Both materials are crafted to endure, yet each requires mindful care to preserve its beauty.

For Silver Travertine, dust regularly with a soft, dry cloth. Because travertine is naturally porous, wipe spills immediately to prevent staining from liquids such as wine, coffee, or oils. Avoid acidic or abrasive cleaners, as these can etch or dull the surface. For lasting protection, professional sealing is recommended.

For hand-painted fiber concrete, clean only with a soft, dry cloth. Do not use water, soap, or chemical cleaners, as moisture and detergents may damage the painted finish. Avoid abrasive pads or rough materials. Protect surfaces with coasters, mats, or felt pads to prevent scratches, stains, or heat marks, and handle objects carefully to avoid impact on edges or corners.

With consistent, thoughtful care, the natural character of travertine and the refined finish of hand-painted fiber concrete will retain their contrast and harmony, allowing the furniture to age gracefully while maintaining its sculptural presence.

Materials Description

This material pairing unites the natural character of Silver Travertine with the sculptural strength of fiber concrete. Silver Travertine, known for its soft greys, layered striations, and subtle tonal shifts, brings a sense of grounded elegance shaped by millennia of sedimentary formation. Each piece is distinct, with linear patterns that add texture, depth, and a calm visual rhythm.

In contrast, fiber concrete offers stability and resilience. Reinforced with fibers and cast in molds, it allows for bold sculptural forms while remaining lightweight and durable. When combined, the refined natural beauty of travertine and the architectural strength of concrete create a dialogue between organic texture and precise craftsmanship.

The result is a material composition that is both expressive and enduring; timeless stone anchored by crafted concrete, designed to enrich furniture with contrast, balance, and sculptural presence.