

101

C O P E N H A G E N



Toe Sofa - Natural Oak / Off White

Designed by

Kristian Sofus Hansen &
Tommy Hyldahl

Toe Sofa - Natural Oak / Off White

Product Description

The Toe Sofa Armrest is where sculptural generosity meets architectural calm. Born from the bold optimism of 1970s space-age design, its voluminous rounded form and thick fluted upholstery create a seating presence that is as expressive as it is inviting.

Its generous form is shaped from layers of premium foam, creating flowing contours that gently embrace the body while maintaining a strong architectural identity. Solid Natural Oak armrests introduce a warm material counterpoint -- formed from thick FSC-certified American Red Oak planks and shaped like subtle wings, they offer natural hand support and a practical resting surface, developing a rich patina over time.

The soft boucle upholstery is woven from looped yarns that give the sofa its signature tactile texture. In Off White -- a warm grey base enriched with off-white highlights -- the upholstery adds quiet depth and a serene, inviting quality to the form.

The Toe Sofa Armrest stands equally well as a sculptural centrepiece or as part of a larger seating composition. Pair it with the Toe Chair Armrest and Toe Ottoman in Off White to create a cohesive landscape of soft architectural comfort.

Designer Description

Tommy Hyldahl and Kristian Sofus Hansen intertwine their distinct sensibilities to create designs where storytelling, materiality, and timeless form meet in quiet harmony.

With a background in fashion, Tommy brings an intuitive eye for trends, colors, and textures. His process is one of layering histories, blending details and references from past design periods and reimagining them into something fresh and contemporary. Each collection unfolds as a narrative, evolving from concept to creation, with every element contributing to a greater story.

Kristian, who has lived and studied in Japan, seeks to unite Japanese aesthetics with Danish design, creating a characteristic twist on simplicity itself. His work is defined by the search for subtle, original details that elevate each piece with a unique signature. Drawing inspiration from art and sculpture, his creative process unfolds in new and exciting ways, always striving to craft designs that are both functional and timeless.

Together, they craft design that transcends time, poetic yet practical, expressive yet enduring.



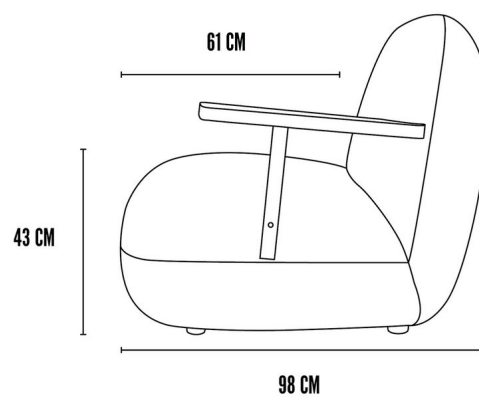
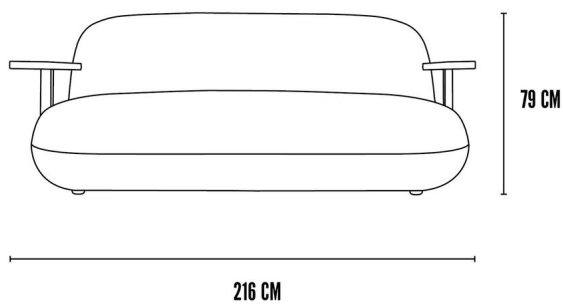
Toe Sofa - Natural Oak / Off White

Main

SKU	263008	Product Family	Toe
Product name	Toe Sofa - Natural Oak / Off White	Color	Off White (CPH 900)
Product Type	Sofa	Size	Regular
		Unit	Piece

Logistics

EAN number	4251501415329	Package - CBM	2.043
Package height in cm	89.00	Package - Weight KG	80.000
Package width in cm	225.00	Tariff Code No	9401610000
Package length in cm	108.00	Country of origin	China
Suitable for Courier	No	Quantity of Inner Boxes	1



Toe Sofa - Natural Oak / Off White

Product

Materials	Oak & Bouclé	Net weight in kg	67
Item Height in cm	79.00	Space Suitability	Indoor
Item width in cm	98.00	Strength Test	L1
Item length in cm	216.00	FSC Wood	Yes

Upholstery

Fabric	Copenhagen 900	Cigarette Test - CAL-117	No
Martindale	100.000	Cigarette Test - EN 1021-1	No
Colour Fastness to Light	4	Cigarette Test - BS5852 Part 1	Yes
Pilling	5.000 Rubs	Match Flame Test - EN 1021-2	No
Oeko Tex	N/A	Ignition Source 5 (Crib 5) - BS 5852 Part 2	No
Fire Test Foam	CAL-117	NF P92-507 - Class M1	No

Toe Sofa - Natural Oak / Off White

Family Description Text

The Toe Series is more than a collection of lounge furniture. It is an ode to the bold optimism of the 1970s space age, reimagined for contemporary living. Here furniture becomes sculpture and comfort becomes a form of architecture. Thick, fluted upholstery flows across seamless forms like a soft rhythm, shaping generous volumes that feel both expressive and serene.

Defined by rounded geometries and sculptural proportions, the series shares a unified language of tactile softness and effortless comfort. Seats and backrests are shaped from layers of premium foam, creating flowing contours that gently embrace the body while maintaining a strong architectural presence.

Most pieces express the purity of the upholstered form, including the Toe Ottoman, Toe Lounge, Toe Armchair and Toe Flat. The Toe Armrest Chair and Toe Sofa Armrest introduce a contrasting architectural element through solid oak armrests for indoor settings or teak for outdoor environments. Formed from thick planks and shaped like subtle wings, they provide natural support for the hand while also serving as a practical resting surface for everyday essentials.

Together the Toe Series transforms interiors into spaces of imagination where the spirit of futurism meets contemporary craftsmanship. More than seating, it is comfort shaped into sculpture and design distilled into poetry.

Color Description

A soft, light, and warm grey base enriched with off-white highlights in the boucle weave. The gentle variation adds warmth, softness, and inviting dimension.

Maintenance Guide Description

This piece combines the natural durability of oak with the soft, textured character of bouclé upholstery. With gentle and regular care, both materials will maintain their appearance and comfort over time.

For oak surfaces, wipe regularly with a soft, dry or slightly damp cloth to remove dust and everyday marks. If needed, use a mild wood cleaner suitable for finished wood surfaces. Avoid abrasive pads, harsh chemicals, or excessive moisture, as these may damage the wood's finish. Always dry the surface after cleaning and wipe up spills promptly to prevent stains.

For bouclé upholstery, gently vacuum the fabric with a soft brush attachment on a low setting to remove dust and prevent dirt from settling into the looped texture. If spills occur, blot immediately with a clean, dry cloth. Avoid rubbing the fabric, as this may push liquid deeper into the weave or disturb the loops. Light marks can be treated with a slightly damp cloth or a mild upholstery cleaner, always testing first on a small, hidden area.

Keep the furniture away from prolonged direct sunlight and excessive moisture to help preserve both the wood and the fabric. For deeper cleaning or stubborn stains, professional upholstery cleaning is recommended.

With regular care, the combination of oak and bouclé will retain its natural warmth, texture, and comfort for many years.

Materials Description

This combination brings together the natural strength of oak with the soft, tactile character of bouclé, creating a balance between solid structure and inviting comfort.

Our wooden furniture begins with American Red Oak, a living material with a story in every grain. FSC certified and responsibly sourced, this hardwood carries the quiet strength of the forests it comes from. Naturally resilient and long lasting, it matures over time, developing a rich patina that reflects years of use and care. Oak's tight grain and inherent durability make it ideal for everyday living, while its warm tones and textured surface add a grounded and refined beauty.

Paired with the oak is bouclé upholstery, a distinctive fabric woven from looped yarns that create its signature soft, nubby texture. Crafted from 100% PES (polyester), the fabric combines comfort with durability, making it well suited for upholstered furniture. Its tactile surface adds visual depth and a cozy, inviting character that enhances the warmth of the wood.

Together, oak and bouclé create a harmonious dialogue between strength and softness. The natural structure of the wood meets the gentle texture of the fabric, resulting in furniture that feels both timeless and welcoming, suited for everyday living in both private homes and carefully designed interiors.