

101

C O P E N H A G E N



Toe Sofa - Classic Brown Oak / Dark Brown

Designed by

Kristian Sofus Hansen &
Tommy Hyldahl

Toe Sofa - Classic Brown Oak / Dark Brown

Product Description

The Toe Sofa in Dark Brown is a sculptural expression of comfort and quiet strength, where the bold optimism of 1970s space-age design is reimagined through warm natural materials and contemporary craftsmanship. Defined by its voluminous rounded geometries and seamless upholstery, the sofa transforms seating into an architectural presence that feels both grounded and inviting.

Its generous form is shaped from layered premium foams, creating flowing contours that provide a firm yet supportive comfort while maintaining a strong sculptural identity. The addition of solid Classic Brown Oak armrests introduces a refined architectural contrast, balancing the softness of the upholstered body with the quiet strength of natural wood.

Crafted from FSC-certified American Red Oak, the armrests reveal the expressive grain and enduring character of the hardwood, developing a rich patina over time. Paired with the oak is a textured woven upholstery fabric with a subtle nubby surface and matte finish, bringing tactile depth and understated elegance to the design.

The Dark Brown upholstery introduces a deep, earthy tone with a calm sense of steadiness. Reminiscent of dark soil after rain and the shadowed edge of smoked wood, the colour enhances the sculptural silhouette with warmth, depth, and quiet sophistication.

The Toe Sofa functions equally well as a sculptural centerpiece or as part of a larger seating composition. Ideal for living rooms, lounges, hospitality interiors, or reading spaces, it can be combined with the Toe Chair and Ottoman to create a cohesive landscape of soft architectural forms and tactile comfort.

Designer Description

Tommy Hyldahl and Kristian Sofus Hansen intertwine their distinct sensibilities to create designs where storytelling, materiality, and timeless form meet in quiet harmony.

With a background in fashion, Tommy brings an intuitive eye for trends, colors, and textures. His process is one of layering histories, blending details and references from past design periods and reimagining them into something fresh and contemporary. Each collection unfolds as a narrative, evolving from concept to creation, with every element contributing to a greater story.

Kristian, who has lived and studied in Japan, seeks to unite Japanese aesthetics with Danish design, creating a characteristic twist on simplicity itself. His work is defined by the search for subtle, original details that elevate each piece with a unique signature. Drawing inspiration from art and sculpture, his creative process unfolds in new and exciting ways, always striving to craft designs that are both functional and timeless.

Together, they craft design that transcends time, poetic yet practical, expressive yet enduring.



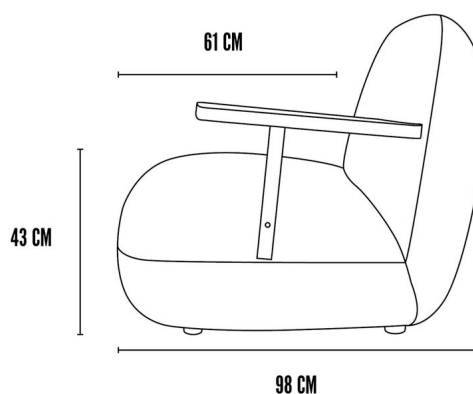
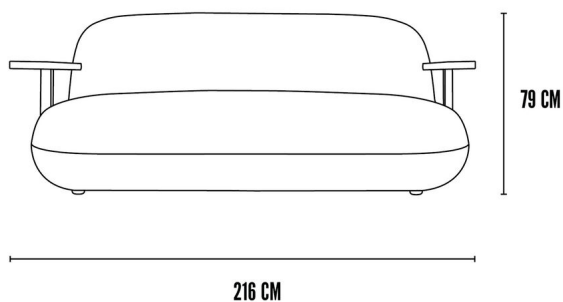
Toe Sofa - Classic Brown Oak / Dark Brown

Main

SKU	263009	Product Family	Toe
Product name	Toe Sofa - Classic Brown Oak / Dark Brown	Color	Dark Brown
Product Type	Sofa	Size	Regular
		Unit	Piece

Logistics

EAN number	4251501415336	Package - CBM	2.043
Package height in cm	89.00	Package - Weight KG	80.000
Package width in cm	225.00	Tariff Code No	9401610000
Package length in cm	108.00	Country of origin	China
Suitable for Courier	No	Quantity of Inner Boxes	1



Toe Sofa - Classic Brown Oak / Dark Brown

Product

Materials	Oak & Textured Upholstery Fabric	Net weight in kg	67
Item Height in cm	79.00	Space Suitability	Indoor
Item width in cm	98.00	Strength Test	L1
Item length in cm	216.00	FSC Wood	Yes

Upholstery

Fabric	Madeira 0222.0173	Cigarette Test - CAL-117	Yes
Martindale	50.000	Cigarette Test - EN 1021-1	Yes
Colour Fastness to Light	4	Cigarette Test - BS5852 Part 1	Yes
Pilling	5.000 Rubs	Match Flame Test - EN 1021-2	No
Oeko Tex	Yes	Ignition Source 5 (Crib 5) - BS 5852 Part 2	No
Fire Test Foam	CAL-117	NF P92-507 - Class M1	No

Toe Sofa - Classic Brown Oak / Dark Brown

Family Description Text

The Toe Series is more than a collection of lounge furniture. It is an ode to the bold optimism of the 1970s space age, reimagined for contemporary living. Here furniture becomes sculpture and comfort becomes a form of architecture. Thick, fluted upholstery flows across seamless forms like a soft rhythm, shaping generous volumes that feel both expressive and serene.

Defined by rounded geometries and sculptural proportions, the series shares a unified language of tactile softness and effortless comfort. Seats and backrests are shaped from layers of premium foam, creating flowing contours that gently embrace the body while maintaining a strong architectural presence.

Most pieces express the purity of the upholstered form, including the Toe Ottoman, Toe Lounge, Toe Armchair and Toe Flat. The Toe Armrest Chair and Toe Sofa Armrest introduce a contrasting architectural element through solid oak armrests for indoor settings or teak for outdoor environments. Formed from thick planks and shaped like subtle wings, they provide natural support for the hand while also serving as a practical resting surface for everyday essentials.

Together the Toe Series transforms interiors into spaces of imagination where the spirit of futurism meets contemporary craftsmanship. More than seating, it is comfort shaped into sculpture and design distilled into poetry.

Color Description

A deep, dark brown with muted, earthy tones, unfolding with a quiet sense of depth and steadiness. It evokes the stillness of dark soil after rain, the charcoal edge of smoked wood, and the calm shadows that gather beneath ancient trees. This shade carries a subtle elegance, grounded yet quietly expressive.

Toe Sofa - Classic Brown Oak / Dark Brown

Maintenance Guide Description

This piece combines the natural strength of oak with the durability of textured upholstery fabric. With regular and gentle care, both materials will maintain their appearance and performance over time.

For oak surfaces, wipe regularly with a soft, dry or slightly damp cloth to remove dust and everyday marks. If necessary, use a mild wood cleaner suitable for finished wood. Avoid harsh chemicals, abrasive pads, or excessive moisture, as these may damage the wood's finish. Always dry the surface after cleaning and wipe up spills promptly to prevent stains.

For textured upholstery fabric, gently vacuum the surface with a soft brush attachment on a low setting to remove dust and prevent dirt from settling into the weave. If spills occur, blot immediately with a clean, dry cloth. Avoid rubbing, as this can push liquid deeper into the fabric and affect the texture. Light marks may be treated with a slightly damp cloth or a mild upholstery cleaner, always testing first on a small hidden area.

Keep the furniture away from prolonged direct sunlight to help preserve both the wood and the fabric. For deeper cleaning or stubborn stains, professional upholstery cleaning is recommended.

With regular care, the combination of oak and textured upholstery fabric will retain its natural warmth, comfort, and durability for many years.

Materials Description

This combination brings together the natural strength of oak with the tactile depth of textured upholstery fabric, creating a balance between solid structure and soft comfort.

Our wooden furniture begins with American Red Oak, a living material with a story in every grain. FSC certified and responsibly sourced, this hardwood carries the quiet strength of the forests it comes from. Naturally resilient and long lasting, it matures over time and develops a rich patina that reflects years of use and care. Oak's tight grain and inherent durability make it ideal for everyday living, while its warm tones and expressive surface add a grounded and refined character.

Paired with the oak is a textured woven upholstery fabric with a medium to heavy weight construction. Its tight basket weave is formed by thick, slightly irregular yarns that create a subtle nubby surface with a tweed like character. The matte finish highlights the fabric's natural texture, giving it depth and a calm, understated appearance.

Strong and resilient, this fabric is well suited for furniture in private homes as well as high use environments such as hotels and lounges. Together, oak and textured upholstery fabric create a harmonious dialogue between natural materiality and durable comfort, resulting in furniture that feels both timeless and inviting.