

# 101

C O P E N H A G E N



## **Big Foot Stool - Stone Gray**

Designed by

Kristian Sofus Hansen &  
Tommy Hyldahl

# Big Foot Stool - Stone Gray

---

## Product Description

The Big Foot Collection is a sculptural language of bold forms and quiet strength. Inspired by brutalist architecture and the expressive spirit of the 1970s, its iconic cylindrical legs give each piece a sense of grounded monumentality while maintaining a modern, inviting presence.

The Big Foot Stool translates this distinctive design into a compact yet striking form. Upholstered in Sunproof fabric made from 100% Olefin, it is designed to endure outdoor living while maintaining a refined, tactile softness. Exceptionally resistant to fading and treated with a water-repellent finish, the performance textile withstands sun, rain, and everyday use with ease, while blocking more than 97% of harmful UV rays.

Finished in Stone Gray, a soft muted grey with subtle green and brown undertones, the stool carries the natural calm of weathered stone. The balanced tone enhances the sculptural silhouette while remaining versatile enough to complement a wide range of outdoor palettes.

Equally suited as a footrest, an extra seat, or a small side element, the Big Foot Stool adapts effortlessly to outdoor lounges, terraces, and garden settings. Its bold cylindrical legs create a sculptural focal point while the compact scale allows it to move easily between spaces.

## Designer Description

Tommy Hyldahl and Kristian Sofus Hansen intertwine their distinct sensibilities to create designs where storytelling, materiality, and timeless form meet in quiet harmony.

With a background in fashion, Tommy brings an intuitive eye for trends, colors, and textures. His process is one of layering histories, blending details and references from past design periods and reimagining them into something fresh and contemporary. Each collection unfolds as a narrative, evolving from concept to creation, with every element contributing to a greater story.

Kristian, who has lived and studied in Japan, seeks to unite Japanese aesthetics with Danish design, creating a characteristic twist on simplicity itself. His work is defined by the search for subtle, original details that elevate each piece with a unique signature. Drawing inspiration from art and sculpture, his creative process unfolds in new and exciting ways, always striving to craft designs that are both functional and timeless.

Together, they craft design that transcends time, poetic yet practical, expressive yet enduring.



# Big Foot Stool - Stone Gray

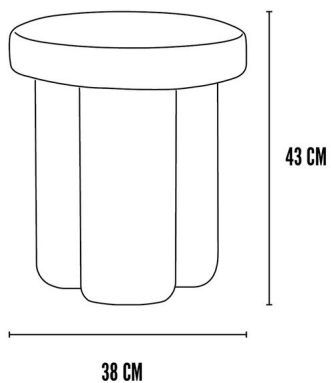
---

## Main

|              |                             |                |            |
|--------------|-----------------------------|----------------|------------|
| SKU          | 262033                      | Product Family | Big Foot   |
| Product name | Big Foot Stool - Stone Gray | Color          | Stone Gray |
| Product Type | Stool                       | Size           | Regular    |
|              |                             | Unit           | Piece      |

## Logistics

|                      |               |                         |            |
|----------------------|---------------|-------------------------|------------|
| EAN number           | 4251501415145 | Package - CBM           | 0.110      |
| Package height in cm | 50.00         | Package - Weight KG     | 7.000      |
| Package width in cm  | 47.00         | Tariff Code No          | 9401610000 |
| Package length in cm | 47.00         | Country of origin       | China      |
| Suitable for Courier | Yes           | Quantity of Inner Boxes | 1          |



# Big Foot Stool - Stone Gray

---

## Product

|                   |                 |                   |         |
|-------------------|-----------------|-------------------|---------|
| Materials         | Sunproof Olefin | Net weight in kg  | 6.3     |
| Item Height in cm | 43.00           | Space Suitability | Outdoor |
| Item width in cm  | 38.00           | Strength Test     | N/A     |
| Item length in cm | 38.00           | FSC Wood          | N/A     |

## Upholstery

|                          |                 |   |     |
|--------------------------|-----------------|---|-----|
| Fabric                   | Copacobana 082  | Cigarette Test - CAL-117                    | No  |
| Martindale               | 18.000          | Cigarette Test - EN 1021-1                  | Yes |
| Colour Fastness to Light | UV Standard 801 | Cigarette Test - BS5852 Part 1              | No  |
| Pilling                  | 2.000 Rubs      | Match Flame Test - EN 1021-2                | No  |
| Oeko Tex                 | Yes             | Ignition Source 5 (Crib 5) - BS 5852 Part 2 | No  |
| Fire Test Foam           | CAL-117         | NF P92-507 - Class M1                       | No  |

# Big Foot Stool - Stone Gray

---

## Family Description Text

The Big Foot Collection is more than furniture; it is a sculptural language of bold forms and quiet strength. Rooted in the spirit of the 1970s yet reimagined for the present, it carries a presence that feels both commanding and inviting. Inspired by brutalist architecture and contemporary sculpture, each piece is anchored by its iconic cylindrical legs, modern in expression and timeless in character, lending every design a sense of quiet monumentality.

Within the collection, two worlds converge: the warmth of upholstery and the raw allure of fiber concrete. The upholstered pieces wrap their geometric silhouettes in softness, balancing resilience with comfort and offering a tactile invitation to pause, sink in, and stay. The fiber concrete designs, by contrast, suggest weight and permanence yet reveal themselves as astonishingly light, effortless to move, and full of surprising ease.

Every surface whispers a story. Upholstered in rich textiles, the pieces exude warmth and refinement, while the hand-painted concrete reveals a raw beauty that recalls the poetry of architecture and the fluid grace of sculpture. Together they speak in contrasts of softness and strength, permanence and change, intimacy and bold expression, woven into a harmonious dialogue of form and feeling.

The Big Foot Collection is sculpture for living. Each piece holds a commanding presence, whether standing as a centerpiece or quietly shaping the atmosphere of a room. With bold forms and hand-painted details, the collection transforms everyday function into art, turning spaces into sanctuaries where design and life merge seamlessly.

## Color Description

Stone Gray is a soft, muted gray with gentle green and brown undertones that give it a warm, natural character. Reminiscent of weathered stone and dried olive leaves, this shade feels both modern and organic. Its balanced tone makes it versatile and timeless, bringing a sense of calm sophistication to any palette or space.

## Maintenance Guide Description

Sunproof upholstery is crafted for long-lasting comfort and resilience in outdoor environments. To preserve its beauty, vacuum or brush the fabric regularly to remove dust, pollen, and loose dirt. Spills should be blotted immediately with a clean, dry cloth; for most marks, rinsing with fresh water is enough.

For deeper cleaning, wash with a mild soap solution and lukewarm water using a soft sponge or cloth, then rinse thoroughly to prevent residue. Always allow the fabric to air-dry naturally avoid tumble drying, heat, or harsh chemicals such as bleach, which can damage the fibers and protective finish.

When furniture is not in use for extended periods, cover or store it in a dry, ventilated area to extend its life. With simple care, Sunproof upholstery will retain its vibrant color, soft texture, and high-performance qualities for many seasons outdoors.

## Materials Description

Sunproof is a high-performance fabric engineered to thrive in outdoor environments. Woven from 100% Olefin, it is exceptionally resistant to fading, even after prolonged exposure to intense sunlight. Its water-repellent finish allows rain and spills to bead and roll off with ease, ensuring long-lasting beauty with minimal care.

Enhanced with advanced ultraviolet blocking agents, Sunproof protects its fibers from the damaging effects of UV radiation. Certified under the UV Standard 801 with a Protection Factor of 80, it blocks more than 97% of harmful rays, offering both durability and peace of mind. Combining strength, comfort, and refined performance, Sunproof Olefin is a trusted choice for enduring outdoor living.