

101

C O P E N H A G E N



Toe Sofa - Teak / Warm Ash

Designed by

Kristian Sofus Hansen &
Tommy Hyldahl

Toe Sofa - Teak / Warm Ash

Product Description

The Toe Sofa in Warm Ash is a sculptural expression of comfort and resilience, designed for both indoor and outdoor living. Defined by its voluminous, rounded geometries and seamless upholstery, it transforms seating into an architectural presence inspired by the optimistic spirit of 1970s space-age design.

Its generous form is shaped from layered premium foams, creating flowing contours that form a firm cushioned, supportive structure while maintaining a strong architectural identity. The addition of solid teak armrests introduces a natural counterpoint, offering warmth, structure, and a refined tactile contrast.

The Warm Ash upholstery is a refined grey-beige neutral with gentle warmth, formed by weaving soft taupe and off-white threads. This interplay creates a subtle texture with natural depth and brightness, evoking sunlit ash wood and pale limestone. Calm and timeless, it brings a balanced and versatile expression suited to both contemporary and classic settings.

Crafted in Sunproof fabric made from 100% Olefin, the sofa is engineered for durability in both indoor and outdoor environments. It offers high resistance to fading, water, and UV exposure, ensuring long-lasting colour stability and performance.

The Toe Sofa in Warm Ash can stand alone as a sculptural statement or be combined with the Toe Chair and Ottoman to form a cohesive seating landscape. Together, the pieces create a unified expression of sculptural comfort, where material, tone, and proportion interact in quiet harmony across the interior or exterior space.

Designer Description

Tommy Hyldahl and Kristian Sofus Hansen intertwine their distinct sensibilities to create designs where storytelling, materiality, and timeless form meet in quiet harmony.

With a background in fashion, Tommy brings an intuitive eye for trends, colors, and textures. His process is one of layering histories, blending details and references from past design periods and reimagining them into something fresh and contemporary. Each collection unfolds as a narrative, evolving from concept to creation, with every element contributing to a greater story.

Kristian, who has lived and studied in Japan, seeks to unite Japanese aesthetics with Danish design, creating a characteristic twist on simplicity itself. His work is defined by the search for subtle, original details that elevate each piece with a unique signature. Drawing inspiration from art and sculpture, his creative process unfolds in new and exciting ways, always striving to craft designs that are both functional and timeless.

Together, they craft design that transcends time, poetic yet practical, expressive yet enduring.



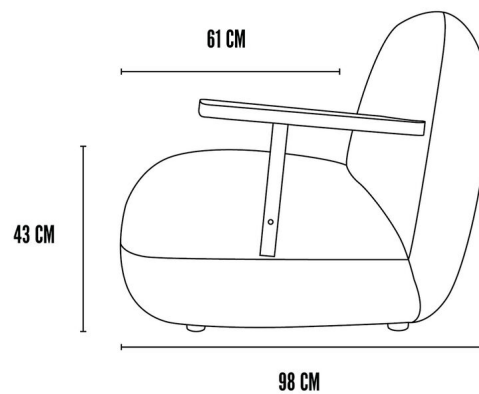
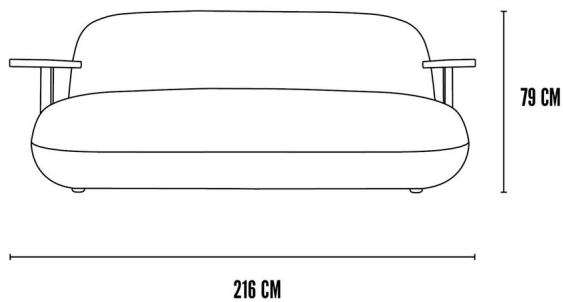
Toe Sofa - Teak / Warm Ash

Main

SKU	263006	Product Family	Toe
Product name	Toe Sofa - Teak / Warm Ash	Color	Warm Ash (C142)
Product Type	Sofa	Size	Regular
		Unit	Piece

Logistics

EAN number	4251501415305	Package - CBM	2.043
Package height in cm	89.00	Package - Weight KG	80.000
Package width in cm	225.00	Tariff Code No	9401610000
Package length in cm	108.00	Country of origin	China
Suitable for Courier	No	Quantity of Inner Boxes	1



Toe Sofa - Teak / Warm Ash

Product

Materials	Teak & Sunproof Olefin	Net weight in kg	69
Item Height in cm	79.00	Space Suitability	Outdoor
Item width in cm	98.00	Strength Test	L1
Item length in cm	216.00	FSC Wood	Yes

Upholstery

Fabric	Southend 142	Cigarette Test - CAL-117	No
Martindale	18.000	Cigarette Test - EN 1021-1	Yes
Colour Fastness to Light	UV Standard 801	Cigarette Test - BS5852 Part 1	No
Pilling	2.000 Rubs	Match Flame Test - EN 1021-2	No
Oeko Tex	Yes	Ignition Source 5 (Crib 5) - BS 5852 Part 2	No
Fire Test Foam	CAL-117	NF P92-507 - Class M1	No

Toe Sofa - Teak / Warm Ash

Family Description Text

The Toe Series is more than a collection of lounge furniture. It is an ode to the bold optimism of the 1970s space age, reimagined for contemporary living. Here furniture becomes sculpture and comfort becomes a form of architecture. Thick, fluted upholstery flows across seamless forms like a soft rhythm, shaping generous volumes that feel both expressive and serene.

Defined by rounded geometries and sculptural proportions, the series shares a unified language of tactile softness and effortless comfort. Seats and backrests are shaped from layers of premium foam, creating flowing contours that gently embrace the body while maintaining a strong architectural presence.

Most pieces express the purity of the upholstered form, including the Toe Ottoman, Toe Lounge, Toe Armchair and Toe Flat. The Toe Armrest Chair and Toe Sofa Armrest introduce a contrasting architectural element through solid oak armrests for indoor settings or teak for outdoor environments. Formed from thick planks and shaped like subtle wings, they provide natural support for the hand while also serving as a practical resting surface for everyday essentials.

Together the Toe Series transforms interiors into spaces of imagination where the spirit of futurism meets contemporary craftsmanship. More than seating, it is comfort shaped into sculpture and design distilled into poetry.

Color Description

Warm Ash is a refined grey-beige neutral with a gentle warmth, created by weaving soft taupe and off-white threads together. The interplay of these tones forms a subtle pattern that adds natural depth and brightness, blending into a balanced warm ash appearance. Calm and timeless, it recalls the softness of sunlit ash wood or pale limestone, making it a versatile choice for modern and classic settings alike.

Maintenance Guide Description

This piece combines the natural durability of teak wood with the high performance qualities of Sunproof outdoor fabric. With simple and regular care, both materials will maintain their beauty and function for many years.

For teak wood, clean the surface regularly with a soft cloth or a soft brush to remove dust and dirt. When needed, wash with mild soap and water, then rinse and allow the wood to dry naturally. Avoid harsh chemicals or abrasive cleaning tools that may damage the surface. Over time, teak may develop a natural silvery patina when exposed to outdoor conditions, which does not affect its durability. Spills should be wiped away promptly to prevent marks.

For Sunproof fabric, brush off loose dirt regularly and rinse with clean water when necessary. For deeper cleaning, use mild soap and lukewarm water with a soft brush or cloth. Rinse thoroughly and allow the fabric to air dry. Avoid strong detergents, bleach, or harsh chemicals that could affect the fabric's protective properties.

To further protect the furniture when not in use, a protective cover can be used. This helps shield both the wood and fabric from prolonged exposure to weather, dirt, and debris, helping to maintain their appearance over time.

With regular cleaning and thoughtful care, the combination of teak and Sunproof fabric will remain strong, comfortable, and well suited for outdoor use season after season.

Materials Description

This combination pairs the natural warmth of teak wood with the high performance durability of Sunproof fabric, creating a balance between organic beauty and advanced outdoor functionality. Teak is valued for its rich golden brown tone and expressive grain, bringing warmth, texture, and a timeless character that suits both contemporary and classic settings.

The upholstery is crafted from Sunproof, a high performance fabric woven from 100% Olefin and engineered specifically for outdoor environments. Exceptionally resistant to fading, it maintains its color even under prolonged exposure to strong sunlight. Its water repellent finish allows rain and spills to bead and roll off easily, helping the fabric remain fresh and easy to maintain.

Enhanced with advanced ultraviolet blocking agents, Sunproof protects its fibers from the damaging effects of UV radiation. Certified under the UV Standard 801 with a Protection Factor of 80, it blocks more than 97% of harmful rays. Together, teak and Sunproof fabric create a refined yet resilient pairing, designed to bring comfort, durability, and natural elegance to outdoor living.