

# 101

C O P E N H A G E N



## **Toe Chair, Flat - Stone Gray**

Designed by

Kristian Sofus Hansen &  
Tommy Hyldahl

# Toe Chair, Flat - Stone Gray

---

## Product Description

The Toe Chair Flat in Stone Gray is a sculptural lounge piece that distills comfort into pure form. Inspired by the bold optimism of 1970s space-age design, its low, voluminous silhouette brings a sense of calm presence to both indoor and outdoor environments.

Defined by rounded geometries and seamless upholstery, the chair is shaped from layered premium foams that create flowing contours and a firm cushioned, supportive structure. Its absence of armrests emphasizes openness and visual lightness, allowing the form to feel relaxed yet architecturally grounded.

The Stone Gray tone introduces a muted, natural palette with soft green and brown undertones, evoking weathered stone and dried olive leaves. This gives the piece a timeless and versatile character that integrates effortlessly into a wide range of settings.

Upholstered in Sunproof fabric made from 100% Olefin, the chair is engineered for high performance in both indoor and outdoor use. It offers excellent resistance to fading, water, and UV exposure, ensuring lasting durability and colour stability over time.

As part of the Toe Series, the Chair Flat can stand alone as a sculptural statement or be combined with the Toe Sofa and Ottoman to create a cohesive seating landscape. Together, the pieces form a unified expression of sculptural comfort, where form, material, and tone interact in quiet harmony.

## Designer Description

Tommy Hyldahl and Kristian Sofus Hansen intertwine their distinct sensibilities to create designs where storytelling, materiality, and timeless form meet in quiet harmony.

With a background in fashion, Tommy brings an intuitive eye for trends, colors, and textures. His process is one of layering histories, blending details and references from past design periods and reimagining them into something fresh and contemporary. Each collection unfolds as a narrative, evolving from concept to creation, with every element contributing to a greater story.

Kristian, who has lived and studied in Japan, seeks to unite Japanese aesthetics with Danish design, creating a characteristic twist on simplicity itself. His work is defined by the search for subtle, original details that elevate each piece with a unique signature. Drawing inspiration from art and sculpture, his creative process unfolds in new and exciting ways, always striving to craft designs that are both functional and timeless.

Together, they craft design that transcends time, poetic yet practical, expressive yet enduring.



# Toe Chair, Flat - Stone Gray

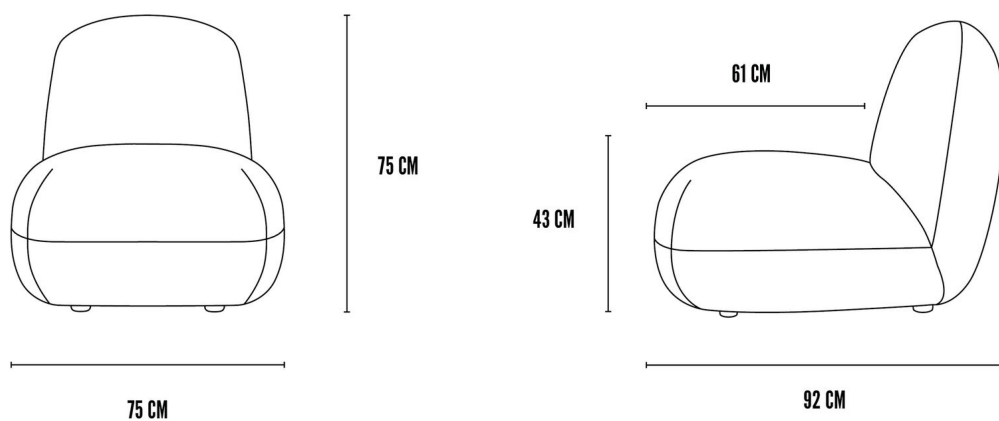
---

## Main

|              |                              |                |            |
|--------------|------------------------------|----------------|------------|
| SKU          | 262034                       | Product Family | Toe        |
| Product name | Toe Chair, Flat - Stone Gray | Color          | Stone Gray |
| Product Type | Lounge Chair                 | Size           | Regular    |
|              |                              | Unit           | Piece      |

## Logistics

|                      |               |                         |            |
|----------------------|---------------|-------------------------|------------|
| EAN number           | 4251501415152 | Package - CBM           | 0.610      |
| Package height in cm | 79.00         | Package - Weight KG     | 47.000     |
| Package width in cm  | 96.00         | Tariff Code No          | 9401610000 |
| Package length in cm | 81.00         | Country of origin       | China      |
| Suitable for Courier | No            | Quantity of Inner Boxes | 1          |



## Toe Chair, Flat - Stone Gray

---

### Product

|                   |                 |                   |         |
|-------------------|-----------------|-------------------|---------|
| Materials         | Sunproof Olefin | Net weight in kg  | 32      |
| Item Height in cm | 75.00           | Space Suitability | Outdoor |
| Item width in cm  | 92.00           | Strength Test     | L1      |
| Item length in cm | 75.00           | FSC Wood          | N/A     |

### Upholstery

|                          |                 |   |     |
|--------------------------|-----------------|---|-----|
| Fabric                   | Copacobana 082  | Cigarette Test - CAL-117                    | No  |
| Martindale               | 18.000          | Cigarette Test - EN 1021-1                  | Yes |
| Colour Fastness to Light | UV Standard 801 | Cigarette Test - BS5852 Part 1              | No  |
| Pilling                  | 2.000 Rubs      | Match Flame Test - EN 1021-2                | No  |
| Oeko Tex                 | Yes             | Ignition Source 5 (Crib 5) - BS 5852 Part 2 | No  |
| Fire Test Foam           | CAL-117         | NF P92-507 - Class M1                       | No  |

## Toe Chair, Flat - Stone Gray

---

### Family Description Text

The Toe Series is more than a collection of lounge furniture. It is an ode to the bold optimism of the 1970s space age, reimagined for contemporary living. Here furniture becomes sculpture and comfort becomes a form of architecture. Thick, fluted upholstery flows across seamless forms like a soft rhythm, shaping generous volumes that feel both expressive and serene.

Defined by rounded geometries and sculptural proportions, the series shares a unified language of tactile softness and effortless comfort. Seats and backrests are shaped from layers of premium foam, creating flowing contours that gently embrace the body while maintaining a strong architectural presence.

Most pieces express the purity of the upholstered form, including the Toe Ottoman, Toe Lounge, Toe Armchair and Toe Flat. The Toe Armrest Chair and Toe Sofa Armrest introduce a contrasting architectural element through solid oak armrests for indoor settings or teak for outdoor environments. Formed from thick planks and shaped like subtle wings, they provide natural support for the hand while also serving as a practical resting surface for everyday essentials.

Together the Toe Series transforms interiors into spaces of imagination where the spirit of futurism meets contemporary craftsmanship. More than seating, it is comfort shaped into sculpture and design distilled into poetry.

### Color Description

Stone Gray is a soft, muted gray with gentle green and brown undertones that give it a warm, natural character. Reminiscent of weathered stone and dried olive leaves, this shade feels both modern and organic. Its balanced tone makes it versatile and timeless, bringing a sense of calm sophistication to any palette or space.

### Maintenance Guide Description

Sunproof upholstery is crafted for long-lasting comfort and resilience in outdoor environments. To preserve its beauty, vacuum or brush the fabric regularly to remove dust, pollen, and loose dirt. Spills should be blotted immediately with a clean, dry cloth; for most marks, rinsing with fresh water is enough.

For deeper cleaning, wash with a mild soap solution and lukewarm water using a soft sponge or cloth, then rinse thoroughly to prevent residue. Always allow the fabric to air-dry naturally avoid tumble drying, heat, or harsh chemicals such as bleach, which can damage the fibers and protective finish.

When furniture is not in use for extended periods, cover or store it in a dry, ventilated area to extend its life. With simple care, Sunproof upholstery will retain its vibrant color, soft texture, and high-performance qualities for many seasons outdoors.

### Materials Description

Sunproof is a high-performance fabric engineered to thrive in outdoor environments. Woven from 100% Olefin, it is exceptionally resistant to fading, even after prolonged exposure to intense sunlight. Its water-repellent finish allows rain and spills to bead and roll off with ease, ensuring long-lasting beauty with minimal care.

Enhanced with advanced ultraviolet blocking agents, Sunproof protects its fibers from the damaging effects of UV radiation. Certified under the UV Standard 801 with a Protection Factor of 80, it blocks more than 97% of harmful rays, offering both durability and peace of mind. Combining strength, comfort, and refined performance, Sunproof Olefin is a trusted choice for enduring outdoor living.